

# Screwdriver - SF-PH 1-80 S-VDE



1212693

<https://www.phoenixcontact.com/us/products/1212693>

Please be informed that the data shown in this PDF document is generated from our Online Catalog. Please find the complete data in the user documentation. Our General Terms of Use for Downloads are valid.



Screwdriver, crosshead PH (lasered), insulated, size: PH 1 x 80, 2-component handle, with non-slip grip

## Your advantages

- Screwdrivers for Phillips screws with Pozidriv and Phillips Recess screw head
- VDE approval

## Commercial Data

Item number	1212693
Packing unit	1 pc
Minimum order quantity	10 pc
Sales Key	B14
Product Key	BH3146
Catalog Page	Page 447 (C-3-2019)
GTIN	4046356716161
Weight per Piece (including packing)	60.5 g
Weight per Piece (excluding packing)	60 g
Customs tariff number	82054000
Country of origin	CZ

# Screwdriver - SF-PH 1-80 S-VDE



1212693

<https://www.phoenixcontact.com/us/products/1212693>

## Technical Data

### Notes

#### Environmental Product Compliance

California Proposition 65

Further information on California's prop. 65 is available under "Downloads" in the manufacturer's declaration

### Product properties

Type

Phillips

Product type

Screwdriver tools

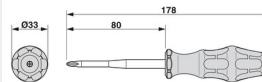
### Connection data

Output

Crosshead/Phillips Recess

### Dimensions

Dimensional drawing



Width

33 mm

Blade width

4.5 mm

Blade height

80 mm

Length

178 mm

Wrench size

0 mm

### Material specifications

Material

alloyed tool steel

### Mounting

Wrench size

0 mm

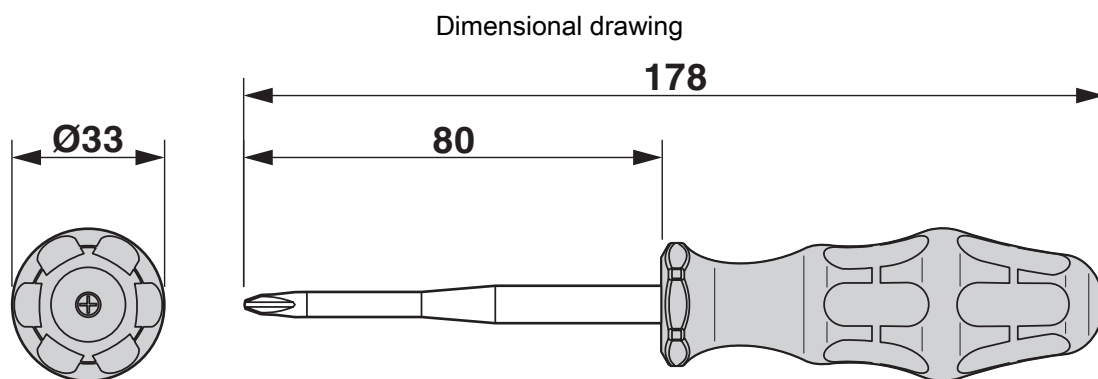
# Screwdriver - SF-PH 1-80 S-VDE



1212693

<https://www.phoenixcontact.com/us/products/1212693>

## Drawings



# Screwdriver - SF-PH 1-80 S-VDE



1212693

<https://www.phoenixcontact.com/us/products/1212693>

## Approvals



**EAC**

Approval ID: RU C-DE.AI30.B.01750



**VDE Zeichengenehmigung**

Approval ID: 40032921

# Screwdriver - SF-PH 1-80 S-VDE



1212693

<https://www.phoenixcontact.com/us/products/1212693>

## Classifications

### ECLASS

ECLASS-9.0	21040406
ECLASS-10.0.1	21040406
ECLASS-11.0	21040406

### ETIM

ETIM 8.0	EC000144
----------	----------

### UNSPSC

UNSPSC 21.0	27111700
-------------	----------

Phoenix Contact 2022 © - all rights reserved

<https://www.phoenixcontact.com>

Phoenix Contact USA  
586 Fulling Mill Road  
Middletown, PA 17057, United States  
(+717) 944-1300  
[info@phoenixcon.com](mailto:info@phoenixcon.com)